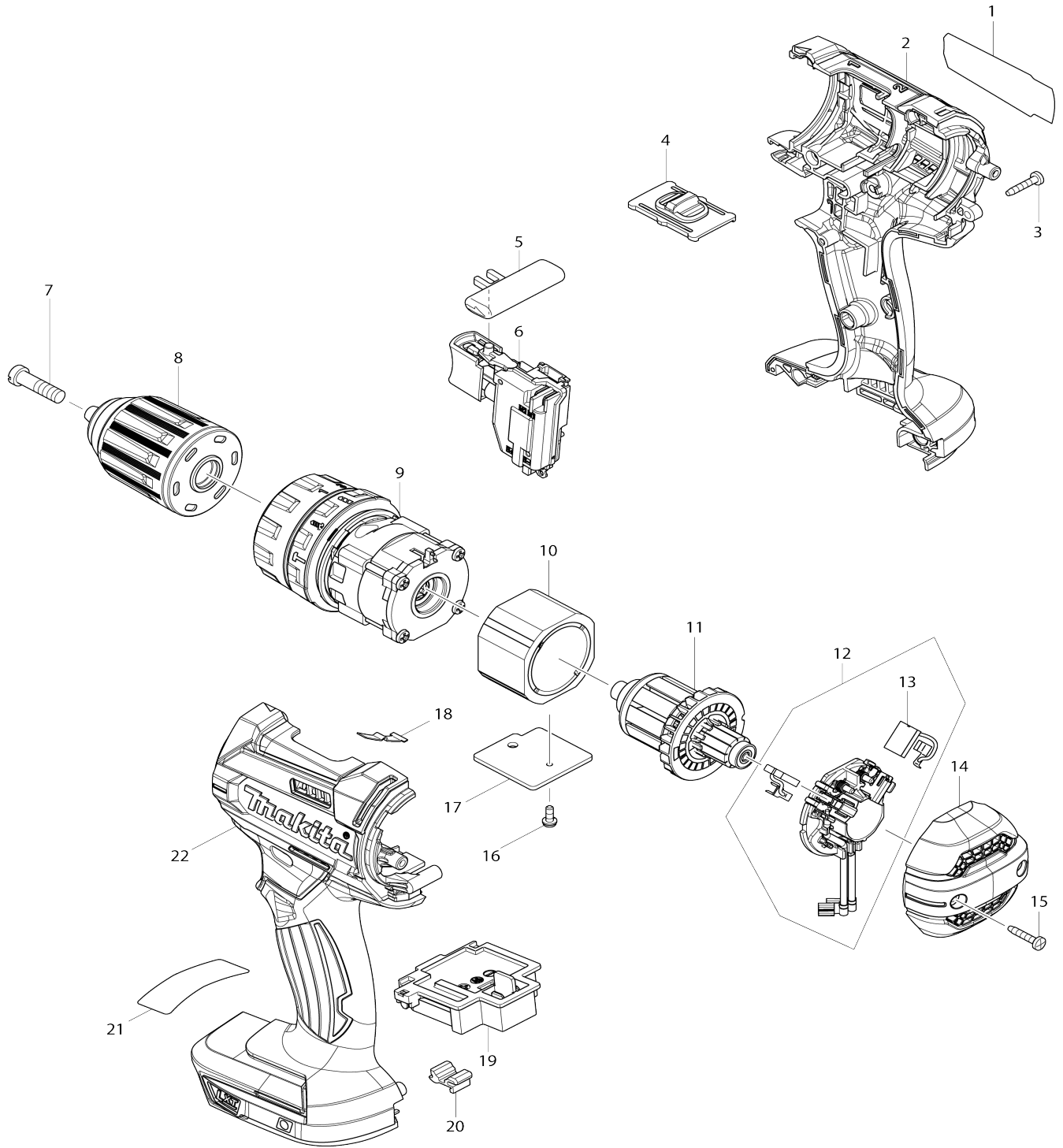


# Model No.DHP482 CORDLESS HAMMER DRIVER DRILL



# Model No.DHP482 CORDLESS HAMMER DRIVER DRILL

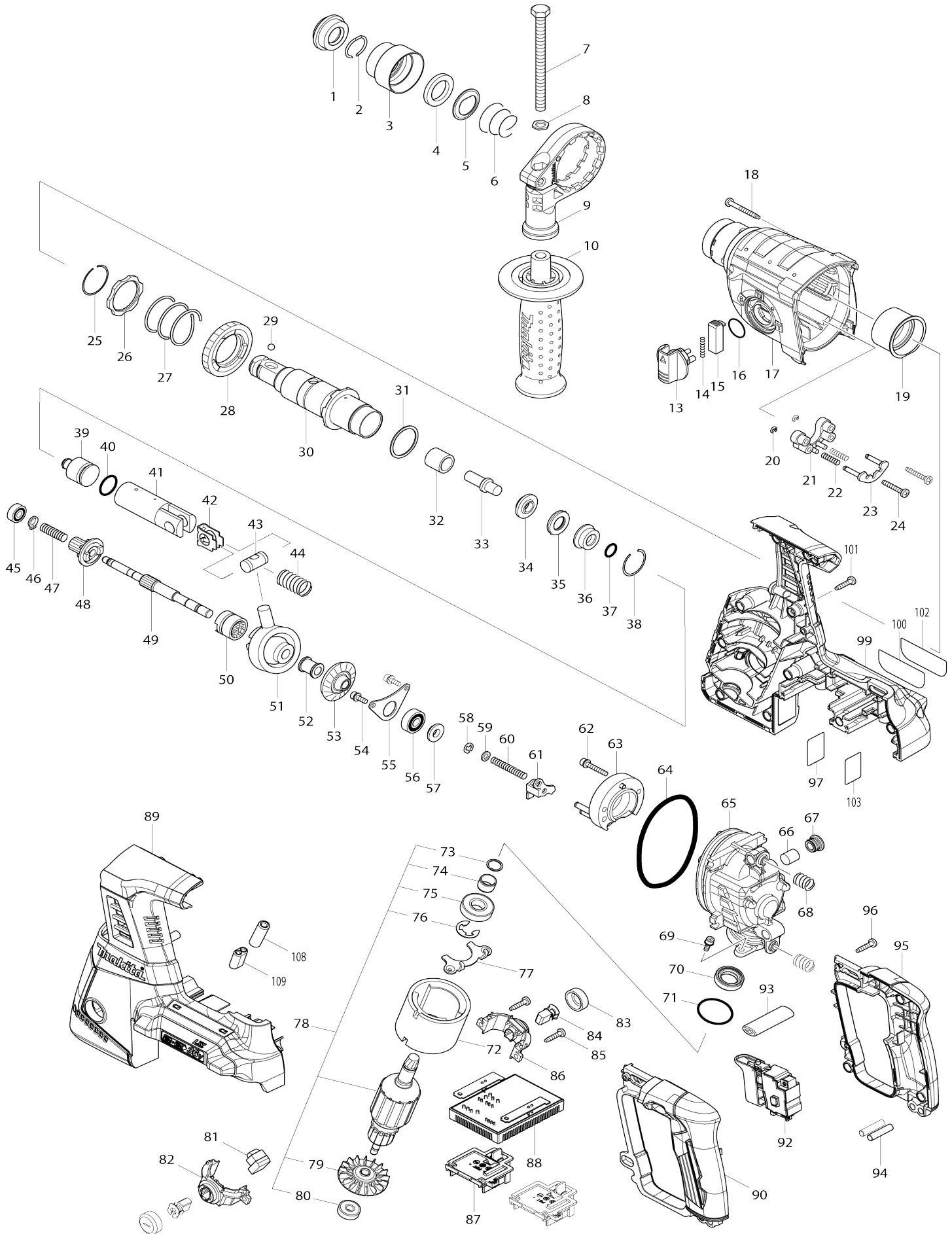
| Item No. | Parts No. | Description                 |
|----------|-----------|-----------------------------|
| 001      | 851E32-8  | DHP482 NAME PLATE           |
| 001-1    | 857L25-5  | DHP482 NAME PLATE           |
| 002      | 183B65-0  | HOUSING SET                 |
| C10      | 263005-3  | RUBBER PIN 6                |
| 002      |           | INC. 22                     |
| 003      | 266429-2  | TAPPING SCREW 3X16          |
| 003-1    | 266130-9  | TAPPING SCREW BIND PT 3X16  |
| 004      | 123442-2  | SPEED CHANGE LEVER ASSEMBLY |
| C10      | 233438-6  | COMPRESSION SPRING 4        |
| 005      | 419041-9  | F/R CHANGE LEVER            |
| 006      | 632F27-4  | SWITCH UNIT                 |
| C10      | 620444-4  | LED CIRCUIT                 |
| C20      | 688172-7  | LINE FILTER                 |
| C21      | 688172-7  | LINE FILTER                 |
| 007      | 251468-5  | - FLAT HEAD SCREW M6X22     |
| 008      | 766027-7  | KEYLESS DRILL CHUCK 13      |
| 009      | 123443-0  | GEAR ASSEMBLY               |
| 010      | 632F32-1  | YOKE UNIT                   |
| 010-1    | 632J70-7  | YOKE UNIT                   |
| 010-1    | 632J70-7  | YOKE UNIT                   |
| 011      | 619380-9  | ARMATURE                    |
| 011-1    | 619583-5  | ARMATURE                    |
| 012      | 632F21-6  | BRUSH HOLDER COMPLETE       |
| C10      | 688172-7  | LINE FILTER                 |
| C11      | 688172-7  | LINE FILTER                 |
| 012      |           | INC. 13                     |
| 013      | 194427-5  | CARBON BRUSH SET CB-440     |
| 013-1    | 195021-6  | CARBON BRUSH SET CB-440     |
| 014      | 456099-7  | REAR COVER                  |
| 015      | 266429-2  | TAPPING SCREW 3X16          |
| 015-1    | 266130-9  | TAPPING SCREW BIND PT 3X16  |
| 016      | 911006-2  | PAN HEAD SCREW M3X8         |
| 016-1    | 652066-2  | +PAN HEAD SCREW M3X9 WITH W |
| 016-1    | 652066-2  | +PAN HEAD SCREW M3X9 WITH W |
| 017      | 689070-8  | HEAT SINK                   |
| 017-1    | 689262-9  | HEAT SINK                   |
| 018      | 232182-2  | LEAF SPRING                 |
| 019      | 644808-8  | TERMINAL                    |
| 020      | 424476-1  | CUSHION                     |
| 022      | 183B65-0  | HOUSING SET                 |
| C10      | 263005-3  | RUBBER PIN 6                |
| 022      |           | INC. 2                      |
| 023      | 857L26-3  | DHP482 SERIAL NO. LABEL     |
| A01      | 251314-2  | + TRUSS HEAD SCREW M4X12    |
| A02      | 346317-0  | HOOK                        |
|          |           |                             |

|         |           |                                 |
|---------|-----------|---------------------------------|
| A02E    | 346449-3  | HOOK                            |
| A03     | 784637-8  | + - BIT 2-45                    |
| A04     | 821550-0  | CONNECTOR PLASTIC CASE (TYP E2) |
| C10     | 453974-8  | LATCH                           |
| A04     | 141856-3  | PLASTIC CARRYING CASE COMPLETE  |
| C10     | 162302-3  | LATCH                           |
| C20     | 324207-7  | SHAFT                           |
| C30     | 451749-9  | HANDLE                          |
| A05     | 450128-8  | BATTERY COVER                   |
| A06     | ***DC18RC | DC18RC FAST CHARGER             |
| A07D    | 197265-4  | BATTERY BL1840B SET             |
| A07E    | 197254-9  | BATTERY BL1820B SET             |
| A07F    | 197600-6  | BATTERY BL1830B SET             |
| A07J    | 197280-8  | BATTERY BL1850B SET             |
| A07-1 D | 197265-4  | BATTERY BL1840B SET             |
| A07-1 E | 197254-9  | BATTERY BL1820B SET             |
| A07-1 F | 197600-6  | BATTERY BL1830B SET             |
| A07-1 G | 197265-4  | BATTERY BL1840B SET             |
| A07-1   | 197600-6  | BATTERY BL1830B SET             |
| A07-1J  | 197280-8  | BATTERY BL1850B SET             |
| A07-2 G | 197265-4  | BATTERY BL1840B SET             |
| A07-2   | 197600-6  | BATTERY BL1830B SET             |
| A08     | 837916-4  | INNER TRAY                      |
| A08E    | 837863-9  | INNER TRAY                      |
| A08F    | 808Y42-6  | DHP482RFE3 PLASTIC CASE LABEL   |
| A08G    | 807S02-9  | DHP482RME PLASTIC CASE LABEL    |
| A08-1 F | 816F53-3  | DHP482RFE3 PLASTIC CASE LABEL   |
| A08-1 G | 816F45-2  | DHP482RME PLASTIC CASE LABEL    |
| A08-1 H | 816F51-7  | DHP482RFE PLASTIC CASE LABEL    |
| A08-1 I | 817V69-7  | DHP482RF PLASTIC CASE LABEL     |
| A09D    | 808J15-9  | DHP482RMJ INDICATION LABEL      |
| A09E    | 808J17-5  | DHP482RAJ INDICATION LABEL      |
| A09-1 D | 816F64-8  | DHP482RMJ INDICATION LABEL      |
| A09-1 E | 816F66-4  | DHP482RAJ INDICATION LABEL      |
| A09-1J  | 816F83-4  | DHP482RT3J INDICATION LABEL     |
| A10D    | 808J16-7  | DHP482RMJ PLASTIC CASE LABEL    |
| A10E    | 808J18-3  | DHP482RAJ PLASTIC CASE LABEL    |
| A10-1 D | 816F65-6  | DHP482RMJ PLASTIC CASE LABEL    |
| A10-1 E | 816F67-2  | DHP482RAJ PLASTIC CASE LABEL    |
| A10-1J  | 816F84-2  | DHP482RT3J PLASTIC CASE LABEL   |

|     |          |                  |
|-----|----------|------------------|
|     |          | L                |
| E02 | 654015-5 | EARTH TERMINAL   |
| E03 | 654501-6 | CONNECTOR P-1.25 |

Г.

# Model No.DHR263 26MM CRDLS COMBINATION HAMMER



Model No.DHR263 26MM CRDLS COMBINATION HAMMER

| Item No. | Parts No. | Description                |
|----------|-----------|----------------------------|
| 001      | 286263-4  | CAP 35                     |
| 002      | 233940-9  | RING SPRING 19             |
| 003      | 417629-9  | CHUCK COVER                |
| 004      | 257241-1  | RING 21                    |
| 005      | 345187-4  | GUIDE WASHER               |
| 006      | 233916-6  | CONICAL COMP. SPRING 21-29 |
| 007      | 921923-8  | HEX. BOLT M8X120           |
| 008      | 345280-4  | HEX. WASHER                |
| 009      | 417630-4  | GRIP BASE                  |
| 010      | 158057-6  | GRIP 36 COMPLETE           |
| 013      | 450980-4  | CHANGE LEVER               |
| 014      | 233279-0  | COMPRESSION SPRING 4       |
| 015      | 453706-3  | LOCK BUTTON                |
| 016      | 213278-8  | O RING 17                  |
| 017      | 158945-7  | GEAR HOUSING COMPLETE      |
| C10      | 213345-9  | OIL SEAL 25                |
| 018      | 266560-4  | TAPPING SCREW 4X40         |
| 019      | 153290-5  | NEEDLE BEARING COMPLETE    |
| 020      | 961017-7  | STOP RING E-3              |
| 021      | 417796-0  | GUIDE BASE                 |
| 022      | 233344-5  | COMPRESSION SPRING 4       |
| 023      | 163430-7  | LOCK PLATE COMPLETE        |
| 024      | 266374-1  | TAPPING SCREW 4X25         |
| 025      | 233929-7  | RING SPRING 29             |
| 026      | 267460-1  | WASHER 31                  |
| 027      | 233401-9  | COMPRESSION SPRING 32      |
| 028      | 227109-5  | SPUR GEAR 51               |
| 029      | 216022-2  | STEEL BALL 7.0             |
| 030      | 158574-6  | TOOL HOLDER COMPLETE       |
| 031      | 267229-3  | FLAT WASHER 28             |
| 032      | 331769-8  | SLEEVE 9                   |
| 033      | 324669-9  | IMPACT BOLT                |
| 034      | 324402-9  | RING 10                    |
| 035      | 421955-0  | CUSHION RING 13            |
| 036      | 324216-6  | O RING CASE                |
| 037      | 213073-6  | O RING 9                   |
| 038      | 233917-4  | RING SPRING 28             |
| 039      | 326404-1  | STRIKER                    |
| 040      | 213227-5  | O RING 16                  |
| 041      | 318132-2  | PISTON CYLINDER            |
| 042      | 346036-8  | GUIDE PLATE                |
| 043      | 324215-8  | PISTON JOINT               |
| 044      | 234098-7  | COMPRESSION SPRING 14      |
| 045      | 211012-0  | BALL BEARING 606ZZ         |
| 046      | 961003-8  | RETAINING RING S-7         |
| 047      | 233343-7  | COMPRESSION SPRING 7       |
| 048      | 227179-4  | SPUR GEAR 10               |
|          |           |                            |

|       |          |                             |
|-------|----------|-----------------------------|
| 049   | 325976-3 | CAM SHAFT                   |
| 050   | 331992-5 | CLUTCH CAM                  |
| 051   | 219014-0 | SWASH BEARING 10            |
| 051-1 | 219021-3 | SWASH BEARING 10            |
| 052   | 325640-6 | SLEEVE 9                    |
| 053   | 227549-7 | SPIRAL BEVEL GEAR 26        |
| 054   | 266273-7 | HEX. SOCKET HEAD BOLT M4X12 |
| 055   | 346038-4 | BEARING RETAINER B          |
| 056   | 211032-4 | BALL BEARING 608ZZ          |
| 057   | 324212-4 | RING 8                      |
| 058   | 961011-9 | STOP RING E-4               |
| 059   | 941102-2 | FLAT WASHER 5               |
| 060   | 233342-9 | COMPRESSION SPRING 6        |
| 061   | 345220-2 | CHANGE PLATE                |
| 062   | 922148-7 | HEX. SOCKET HEAD BOLT M4X25 |
| 063   | 158944-9 | INNER SUPPORT COMPLETE      |
| 064   | 213728-3 | O-RING 68                   |
| 065   | 318392-6 | INNER HOUSING               |
| 066   | 443143-9 | FILTER                      |
| 067   | 424185-2 | CAP                         |
| 068   | 234097-9 | COMPRESSION SPRING 10       |
| 069   | 266273-7 | HEX. SOCKET HEAD BOLT M4X12 |
| 070   | 213231-4 | OIL SEAL 15                 |
| 071   | 213437-4 | O RING 28                   |
| 072   | 632828-4 | YOKE UNIT                   |
| 073   | 961082-6 | RETAINING RING WR12         |
| 074   | 331596-3 | SLEEVE 12                   |
| 075   | 211131-2 | BALL BEARING 6001DDW        |
| 076   | 961016-9 | STOP RING E-10              |
| 077   | 346037-6 | BEARING RETAINER A          |
| 078   | 519235-7 | ARMATURE ASS'Y 36V          |
| 078   |          | INC. 73-76,79,80            |
| 079   | 240037-7 | FAN 44                      |
| 080   | 210022-4 | BALL BEARING 626DDW         |
| 081   | 620281-6 | LIGHT CIRCUIT               |
| 082   | 644507-2 | BRUSH HOLDER                |
| 083   | 643829-7 | HOLDER CAP                  |
| 084   | 194928-3 | CARBON BRUSH CB-442         |
| 084-1 | 195023-2 | CARBON BRUSH SET CB-442     |
| 085   | 266326-2 | TAPPING SCREW 4X18          |
| 086   | 644508-0 | BRUSH HOLDER                |
| 087   | 644808-8 | TERMINAL                    |
| 088   | 620280-8 | CONTROLLER                  |
| 089   | 187833-1 | HOUSING SET                 |
| C10   | 263005-3 | RUBBER PIN 6                |
| C20   | 263025-7 | RUBBER PIN 4                |
| C30   | 346783-1 | PLATE                       |
| C40   | 803F15-0 | INDICATION LABEL            |
| 089   |          | INC. 99                     |
| 090   | 187771-7 | HANDLE SET                  |
| 090   |          | INC. 95                     |
| 092   | 650721-0 | SWITCH                      |

|            |           |                               |
|------------|-----------|-------------------------------|
| 093        | 454980-6  | F/R CHANGE LEVER              |
| 094        | 256261-2  | PIN 6                         |
| 095        | 187771-7  | HANDLE SET                    |
| 095        |           | INC. 90                       |
| 096        | 266326-2  | TAPPING SCREW 4X18            |
| 097        | 815K28-9  | DHR263 SERIAL NO. LABEL       |
| 099        | 187833-1  | HOUSING SET                   |
| C10        | 263005-3  | RUBBER PIN 6                  |
| C20        | 263025-7  | RUBBER PIN 4                  |
| C30        | 346783-1  | PLATE                         |
| C40        | 803F15-0  | INDICATION LABEL              |
| 099        |           | INC. 89                       |
| 100        | 815K11-6  | DHR263 NAME PLATE             |
| 101        | 266326-2  | TAPPING SCREW 4X18            |
| 102        | 803F14-2  | CLEAR LABEL                   |
| 103        | 893072-0  | CLEAR LABEL                   |
| 108        | 688165-4  | LINE FILTER                   |
| 109        | 688172-7  | LINE FILTER                   |
| 109-1      | 688172-7  | LINE FILTER                   |
| A01        | 194683-7  | GREASE VESSEL SET             |
| A01-1      | 198993-4  | GREASE VESSEL SET             |
| A02        | 324219-0  | DEPTH GAUGE                   |
| A03        | 443122-7  | CLOTH                         |
| A04B       | ***DC18RC | DC18RC FAST CHARGER           |
| A05B       | 194204-5  | BATTERY BL1830 SET            |
| A05-1<br>B | 194204-5  | BATTERY BL1830 SET            |
| A05-2<br>B | 197600-6  | BATTERY BL1830B SET           |
| A05-3<br>B | 197600-6  | BATTERY BL1830B SET           |
| A06B       | 142551-8  | PLASTIC CASE COMPLETE         |
| C10        | 162271-8  | LATCH                         |
| C20        | 325636-7  | SHAFT                         |
| C30        | 450990-1  | HANDLE                        |
| B01        | 195189-8  | HAMMER SERVICE KIT            |
| C10        | 195127-0  | OIL VESSEL SET                |
| B01        |           | INC. 1,29,35,37,38,40,84      |
| F05        | 192349-3  | JOINT 25                      |
| F39-3      | 197606-4  | BATTERY BL1830B SET (2PIECES) |
| F40-3      | 197600-6  | BATTERY BL1830B SET           |
| F41-4      | 197599-5  | BATTERY BL1830B SET           |
| G12        | 1914X3-8  | DUST EXTRACTION PAD SET       |